



ARCHITECT'S STAMP

PROJECT NAME
**COUNTY
 FIRE STATION NO. 17
 REMODEL**

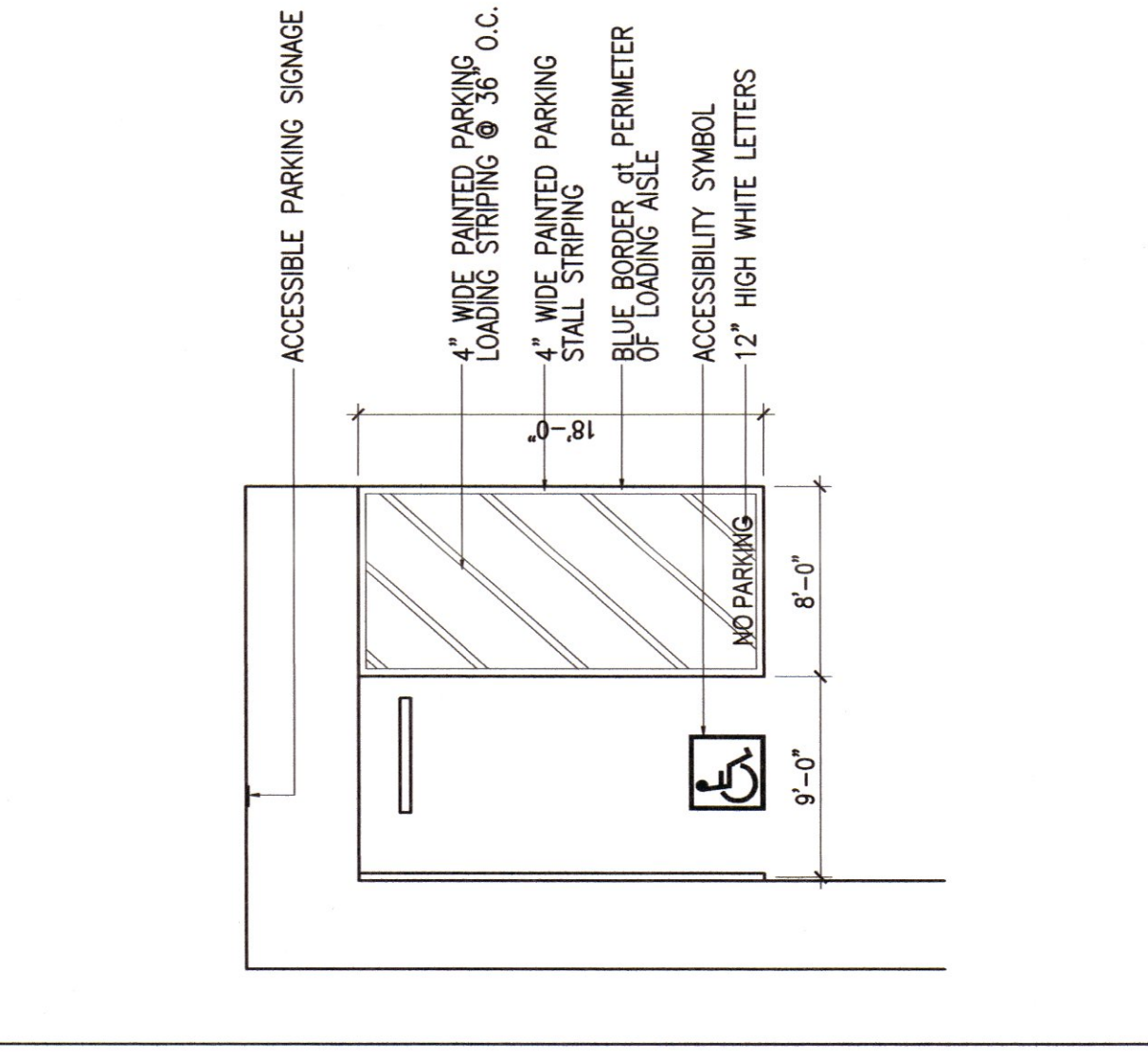
PROJECT ADDRESS
 6430 PONY EXPRESS TRAIL
 POLLOCK PINES, CA 95726

DRAWING NAME
SITE PLAN

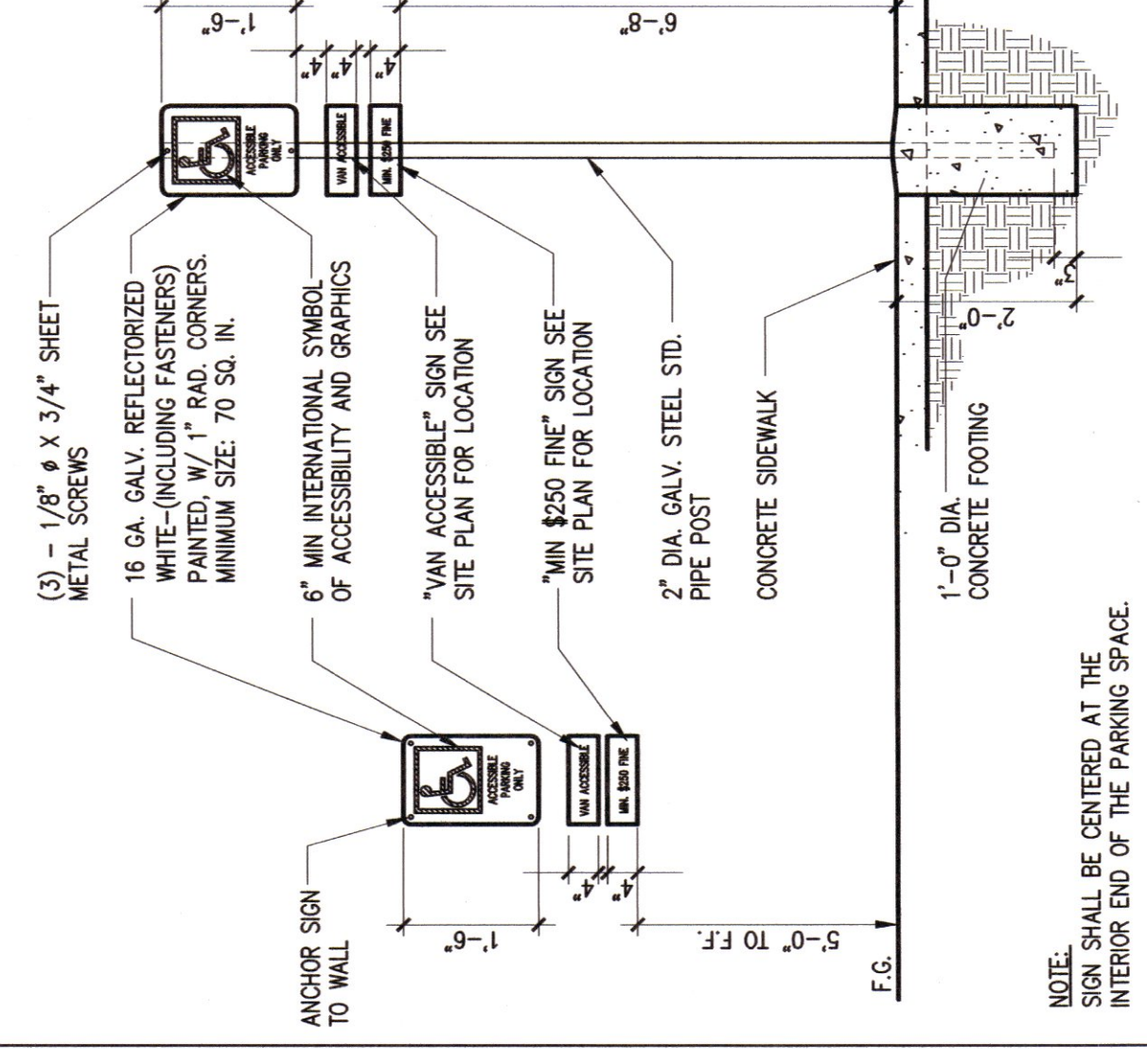
NO	DATE	REVISION
△		
△		
△		
△		
△		
△		

DRAWN BY: JK	CHECKED BY: JK
DATE: 07/28/2020	SCALE: NOTED
PROJECT NUMBER: 202103	DRAWING NUMBER:

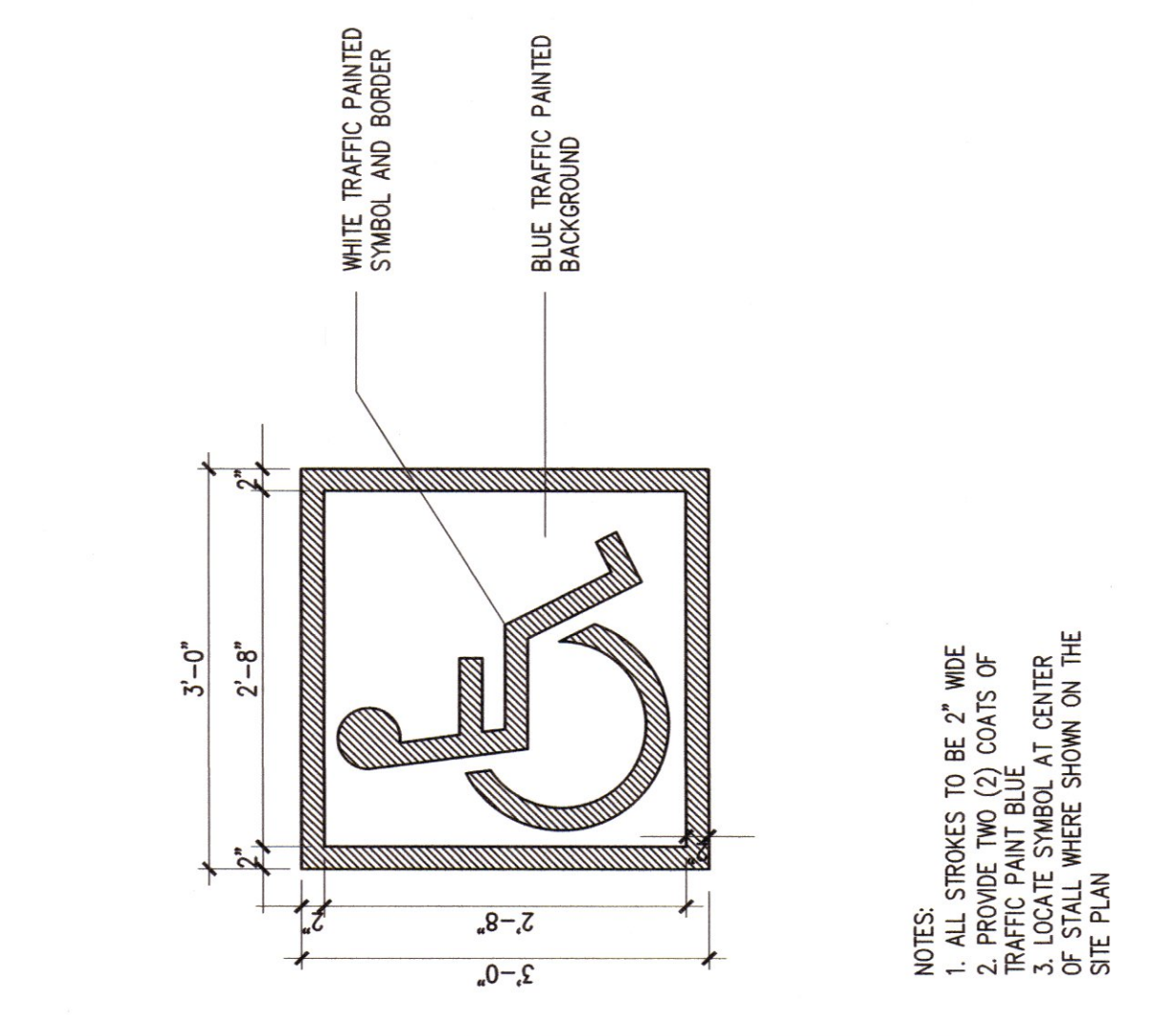
A1



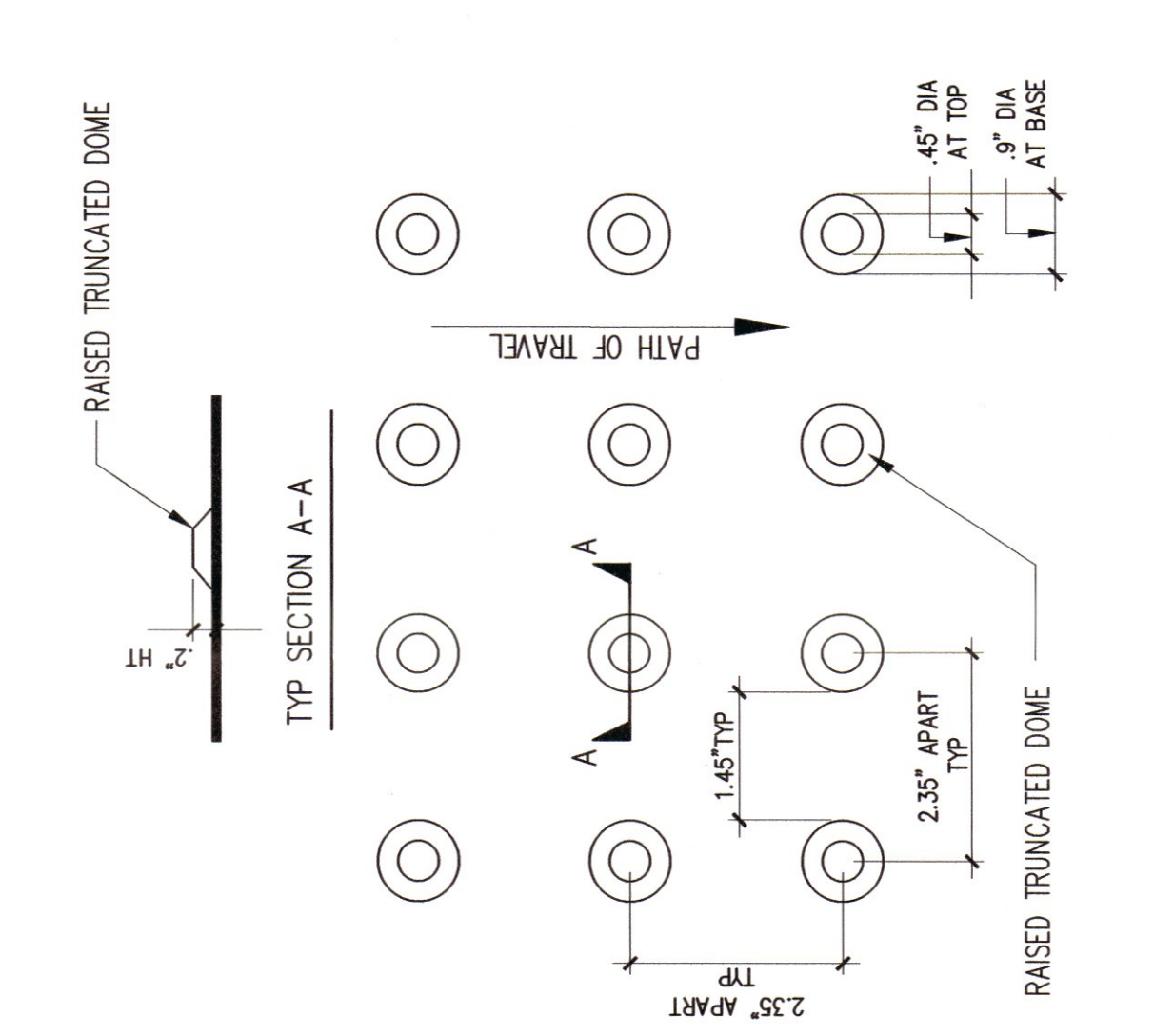
2 ENLARGED PARKING PLAN 1/8" = 1'-0"



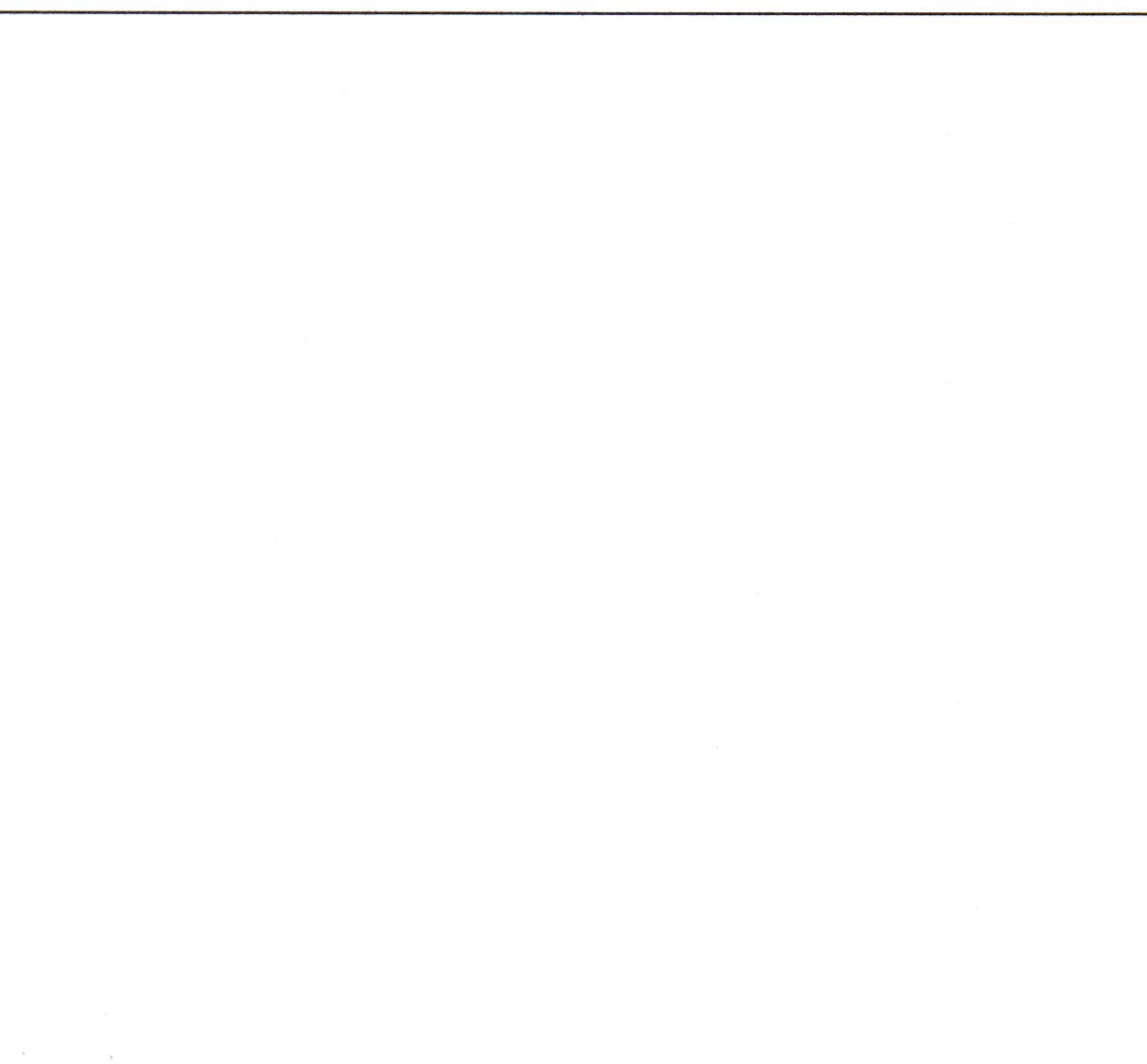
3 ACCESSIBLE PARKING SIGN 1/2" = 1'-0"



4 INT'L SYMBOL OF ACCESSIBILITY 3/4" = 1'-0"



5 DETECTABLE WARNINGS 6" = 1'-0"



6 TRUNCATED DOME 6" = 1'-0"

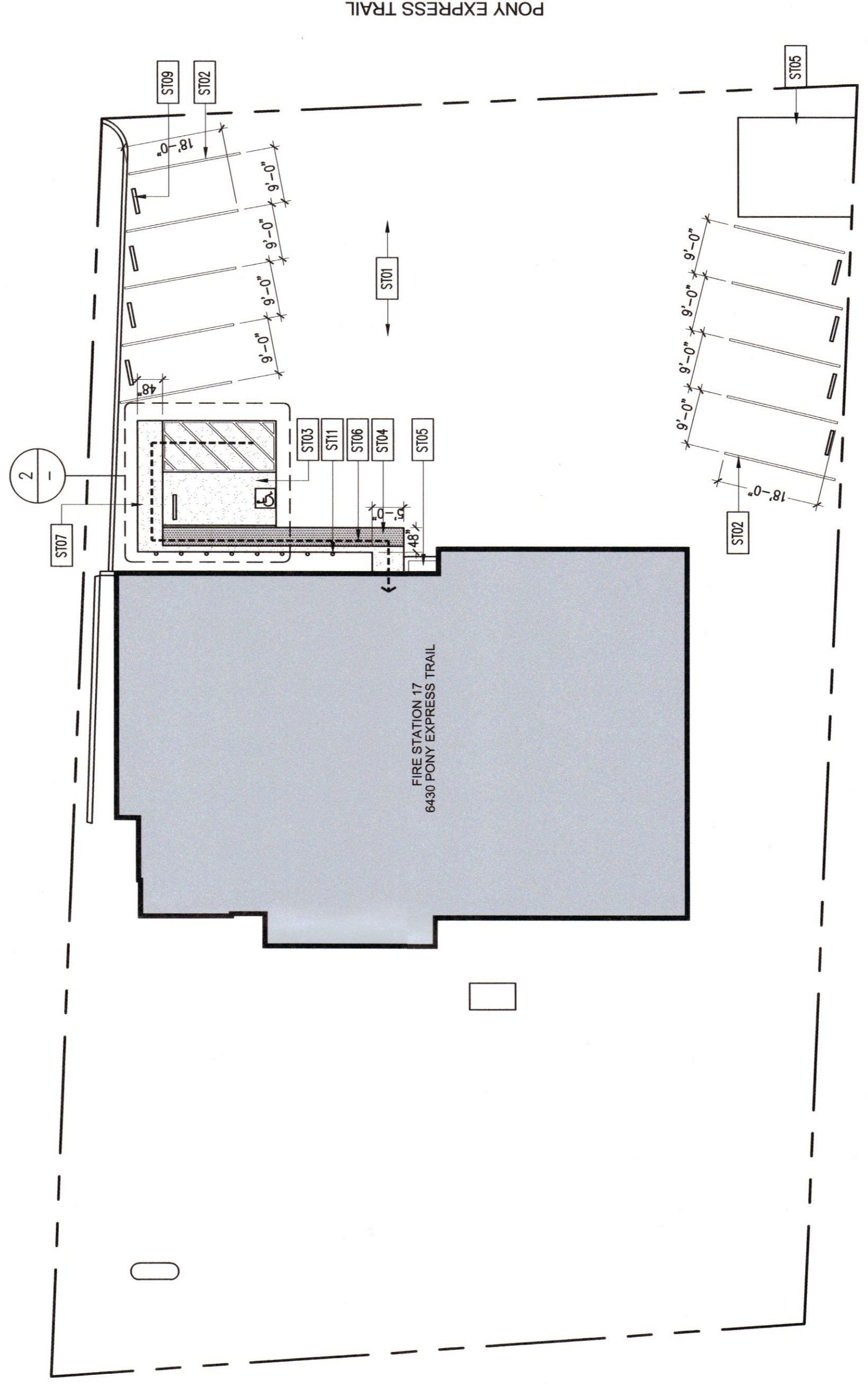
- SITE PLAN KEYNOTES
- EXISTING AC PAVED PARKING AREA
 - NEW PARKING STALL STRIPING - TYP. U.N.O.
 - NEW CONC. ACCESSIBLE PARKING STALL AND LOADING
 - DETECTABLE WARNING - TRUNCATED DOMES PER 11B-705.1.1 TYP. WHERE SHOWN
 - EXISTING LANDSCAPED AREA
 - ACCESSIBLE PATH OF TRAVEL TO BUILDING ENTRANCE
 - NEW CONCRETE PAVING
 - EXISTING DRIVEWAY
 - NEW CONCRETE WHEELSTOP
 - EXISTING UNAUTHORIZED PARKING - LOW AWAY SIGNAGE at ENTRY DRIVE
 - EXISTING CONC. BOLLARDS

APPROVED BY
 EL DORADO COUNTY
 COMMUNITY DEVELOPMENT AGENCY
 PLANNING SERVICES
 Date: July 28, 2020
 Conditions:

GENERAL PATH OF TRAVEL NOTES

- ACCESSIBLE PATH OF TRAVEL AS INDICATED IS A BARRIER FREE ACCESS WITHOUT ANY ABRUPT VERTICAL CHANGES EXCEEDING 1/4" AT 1:2 MAX SLOPE, EXCEPT THAT LEVEL CHANGE DOES NOT EXCEED 1/2" VERTICAL. MAX. GROSS SLOPE IS 2% AND MAXIMUM SLOPE IN DIRECTION OF TRAVEL IS 5%
- CONTRACTOR TO VERIFY THAT ALL BARRIERS IN PATH OF TRAVEL HAVE BEEN REMOVED PER 2019 CBC SECTION 11B-206
- ACCESSIBLE PATH OF TRAVEL STRIPING SHALL BE 4" WIDE WHITE PARKING STRIPING SPACED AT 3' O.C.

APPROVED
 APT Approved Plans
 1707
 3/15/20



KEYNOTES / GENERAL NOTES

1" = 16'-0"

SITE PLAN